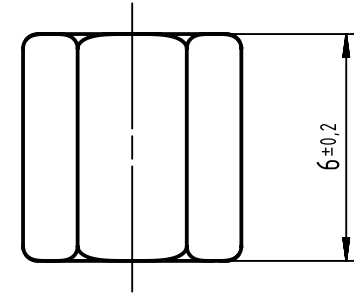
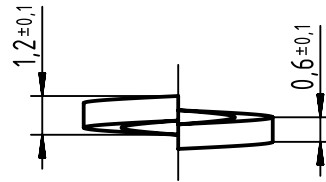


1 2 3 4 5 6

A

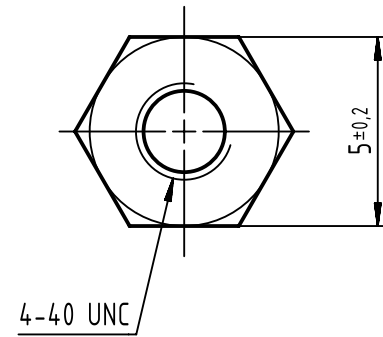
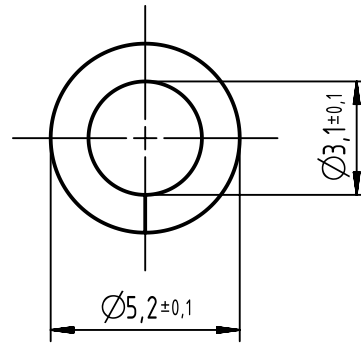
Pair



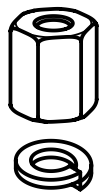
B

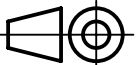



C



D



	All Dimensions in mm Original Size DIN A4		Scale 5:1	Free size tol.		Ref.
						Sub.
	All rights reserved		Created by ZHUANGJ	Inspected by LUOK	Standardisation HOFFMANN	Date 2018-07-03
	Department EL PD		Title Hex. Extender Include Washer			State Final Release
HARTING Electronics GmbH D-32339 Espelkamp			Type TB	Number 09670019985		Doc-Key / ECM-Nr. 100794192/UGD/000/A 500000137099
					Rev. A	Page 1/1